

JACOBI Karl

(-)

(DE)

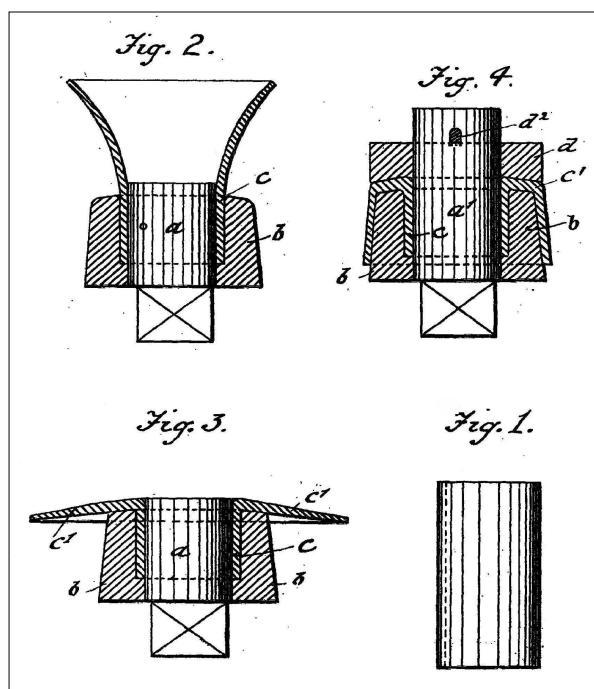
Patents (details)

1 - An improved process for the construction of tuyere noses or furnace ends

GB patent	1898/11638
Application date	23 May 1898
Co-inventor	SCHANDLER Charles ¹

This invention relates to an improved process for the construction of tuyere noses or furnace ends. These copper ends in the shape of a double sleeve have been generally constructed until now by connecting an inner tube by soldering with an exterior tube of a larger diameter having at its end an interiorly bent flange.

In consequence of the strong heat to which the tuyeres are exposed in the furnace, the ends generally broke through in short time and always at the place soldered. According to this new process, the tuyere ends are constructed of only one piece of tube: this tube is first enlarged at one of its ends with a flaring enlargement which is then brought down into an umbrella-like form and has its outer part again turned back in order to give to it the form of a double sleeve. The manipulation of the material during the enlargement of the extremity of the tube is so done that it simultaneously undergoes a shortening or thickening, thus the parts which are exposed to the strongest heat, are considerably strengthened which secures in the most efficacious manner these places against premature breaking.



Corresponding patents

LU, FR

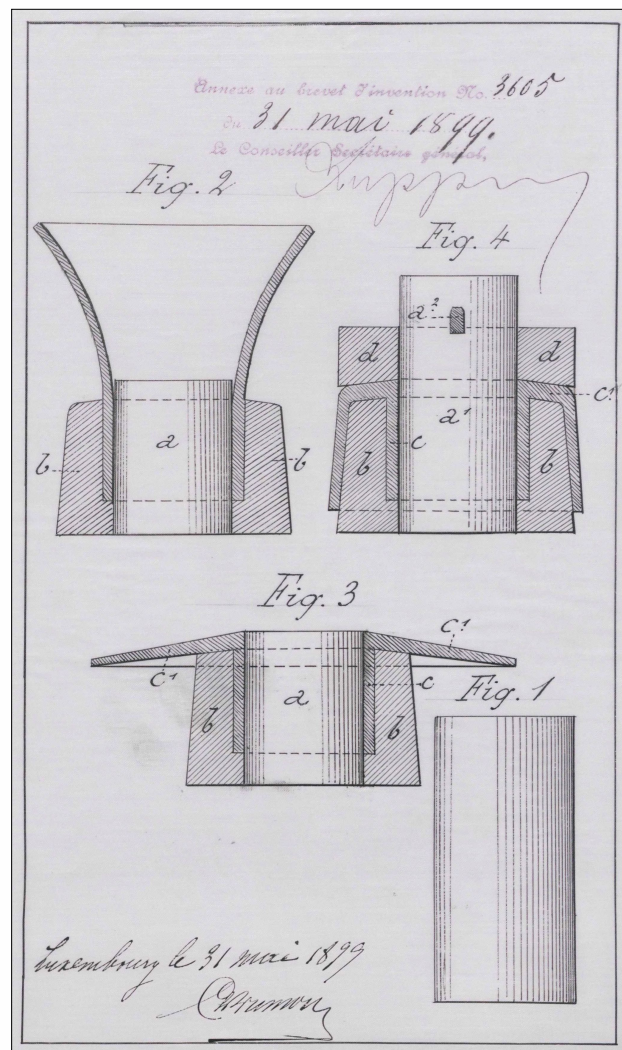
¹ FamilySearch database (G9JM-XKS)

2 - Procédé de fabrication de museaux de tuyères (Verfahren zur Herstellung von Rüsseln für Windformen)

LU patent 3605
 Application date 31 May 1899

The description consists of a 3-page draft in old German handwriting (Kurrent).

Judging from the drawing accompanying the patent, it relates to the same invention which was already covered by JACOBI's earlier patent (invention N° 1), the only difference being that Charles SCHANDLER was no longer a co-inventor (co-owner) of the patent. ¹



¹ Did Jacobi quarrel with Schandler and wish to reclaim and retain in that way "his" invention?