

GERNSBACK Sidney

(1876 - 1953)

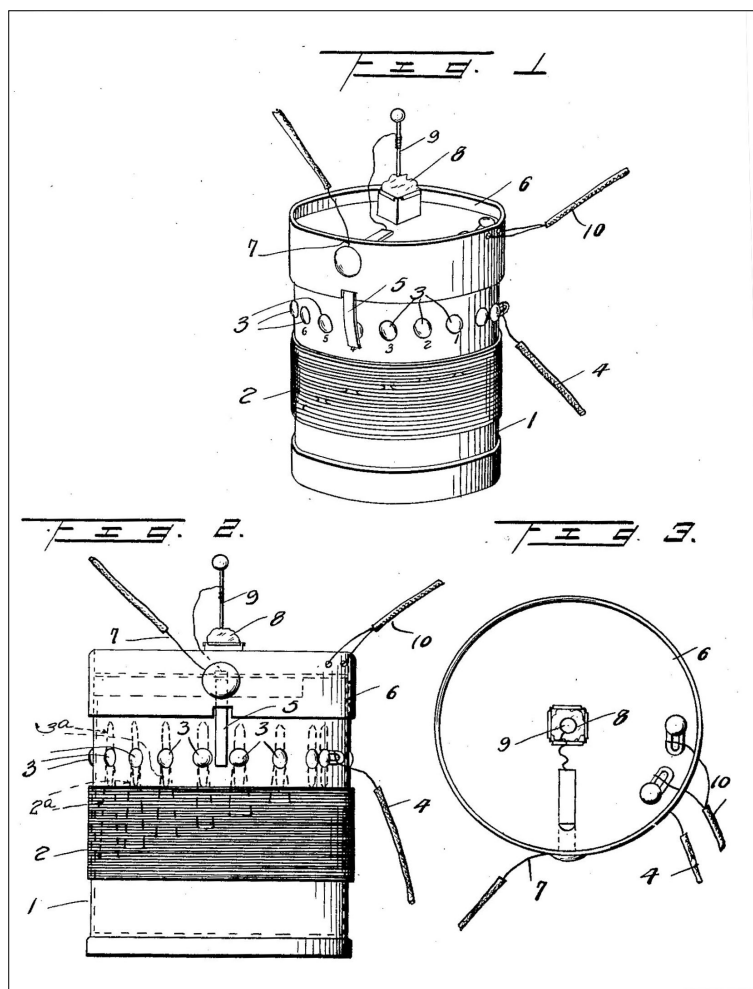
Bühl/Baden (DE)

Patents (listing)

1 - Radio tuning coil

US patent	1480454
Application date	29 June 1922
Inventor	McMAUGHLIN James
Patent Owner	GERNSBACK Sidney

This invention relates to radio transmission, or wireless communication and is directed more particularly to a tuning coil whereby the receiving and transmitting sets are synchronized or adjusted as to wave length.



2 - Telephone receiver

US patent 1587828
Application date 12 May 1923

This invention relates to telephone receivers, and more particularly to an adjustable receiver for radio phones.

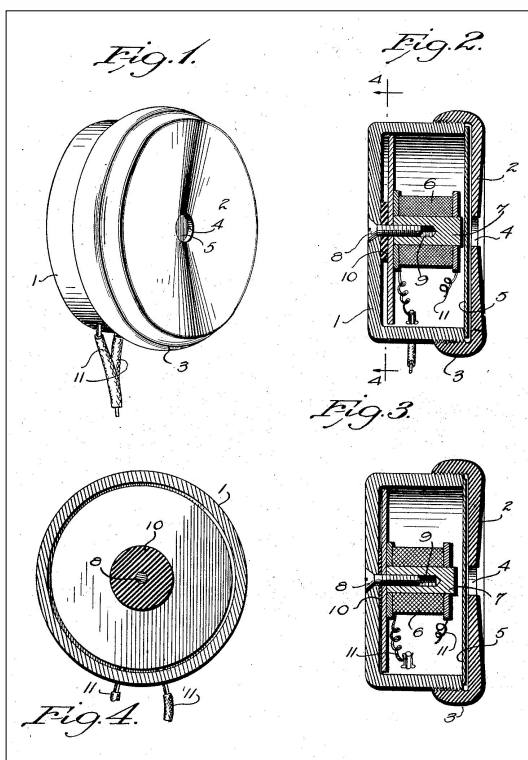
An object of the invention is to provide a receiver in which the distance between the pole piece and the diaphragm may be adjusted.

A further object is the provision of adjusting means for moderate priced receivers.

...

In the use of the receiver, the pole piece may be adjusted toward and away from the diaphragm by turning the screw in the opening 9. With, the parts in the position shown in Figure 2 of the drawings, the screw is partially removed from the opening 9 and the pole piece is arranged, relatively close to the diaphragm. The gasket 10 is then expanded. To withdraw the pole piece from the diaphragm, the screw is turned into the opening 9, drawing the pole piece toward the base of the casing and placing the gasket under compression, as shown in Figure 3 of the drawings.

Heretofore adjustable receivers had been more or less expensive and by means of the present invention, I provide an adjustable receiver in which the only additional parts employed are a machine screw and a rubber gasket. A further advantage of this receiver is the elimination of labor in assembling it. In the ordinary receiver, skilled labor is necessary in assembling. The pole piece must be adjusted to be the same height as the rim of the telephone casing and this distance must be gauged very accurately, frequently requiring the pole piece or the rim of the casing to be ground off. This necessity of accurate adjustment in assembling is eliminated by means of the present invention as the pole piece may be adjusted at any time by means of the screw 8.



3 - Electrically operated fountain

US patent	1954704
Application date	19 November 1932
Inventor	KRAUS Joseph H.
Patent owners	(¹ / ₂) KRAUS Joseph H. (¹ / ₂) GERNSBACK Hugo, GERNSBACK Sidney, MANHEIMER Irving S.

This invention relates to a fountain and it aims to provide a novel construction which is leakproof and electrically operable and particularly wherein a well of the bowl depends into the stator of the electric motor; the rotor of the motor being disposed in the well to operate a pump and to be cooled by the liquid of the fountain.

