

HAUCK Philippe

(1860 - 1939)

Sarnstall/Pfalz

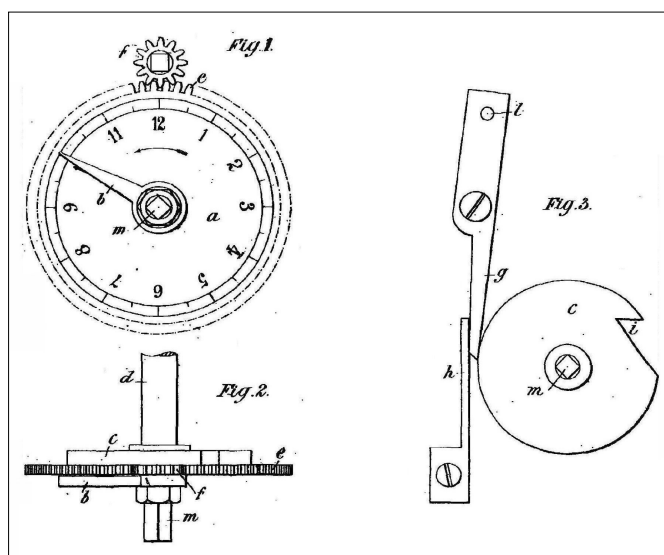
Patents (details)

1 - Improvements in Alarm Clocks ¹

GB patent	1902/21451
Application date	25 October 1901

My invention relates to improvements in alarm clocks and particularly to those of the class known, as "travelling clocks" in which the alarm mechanism necessarily has had to be made of a small size.

According to my invention the dial plate with the pointer cam and the operating lever of the alarm, is placed outside on the rear wall of the clock case on a separate arbor. This arrangement permits the use of a much larger dial plate and a larger cam, the chief advantage resulting from which is that the alarm can be released exactly at the moment desired. With the small dial plates and cams hitherto in use, accurate setting was impossible, which accounts for the fact that, the difference between the desired time for the alarm to strike and the actual time of striking not infrequently amounted to as much as twenty minutes. As additional advantages of the above mentioned arrangement and device, it may be mentioned that the cam is subject to less wear and that the various parts can be readily taken apart, for the purpose of cleaning or repair. The dial plate, pointer and cam are mounted on the arbor, independent of the rest of the clockwork, the dial plate being set in motion by a separate pinion operated by the clock.



Both the cam and the pointer are fixed to the arbor but the dial plate is only held fictionally between them.

The usual operating lever of the alarm bears against the cam by spring pressure or otherwise and is adapted to fall into a notch in said cam so that its position will be altered and the alarm operated. The arbor carrying the parts mentioned has a squared end for a key by which both it and the pointer and cam can be turned, so that the former may indicate on the dial the number of hours ahead at which it is desired, the alarm, is to go off. Owing to the dial being frictionally held, this rotation of the parts can be effected without moving the dial which would interfere with the clockwork, but such frictional contact is sufficient when the dial is driven by the pinion from the clockwork to carry with it the pointer cam and arbor so that the latter will perform its work in moving the alarm lever.

Corresponding patent:

LU

¹ Archaic term for "alarm"

2 - Uhr-Drehpendel-Ausgleichvorrichtung

DE Gebrauchsmuster 276288
Application date 12 March 1906

(copy of specification no longer available)

3 - Beweglich und herausnehmbar aufgehängte Drehpendel-Uhrfeder

DE Gebrauchsmuster 292522
Application date 26 October 1906

(copy of specification no longer available)

4 - Uhr Drehpendel mit Ausgleich- und Regel-Vorrichtungen

DE Gebrauchsmuster 375926
Application date 13 April 1909

(copy of specification no longer available)

5 - Drehpendel-Führung

DE Gebrauchsmuster 430556
Application date 20 July 1910

(copy of specification no longer available)

6 - Gewichts-Drehpendel für Jahresuhren

DE Gebrauchsmuster 471231
Application date 19 June 1911

(copy of specification no longer available)